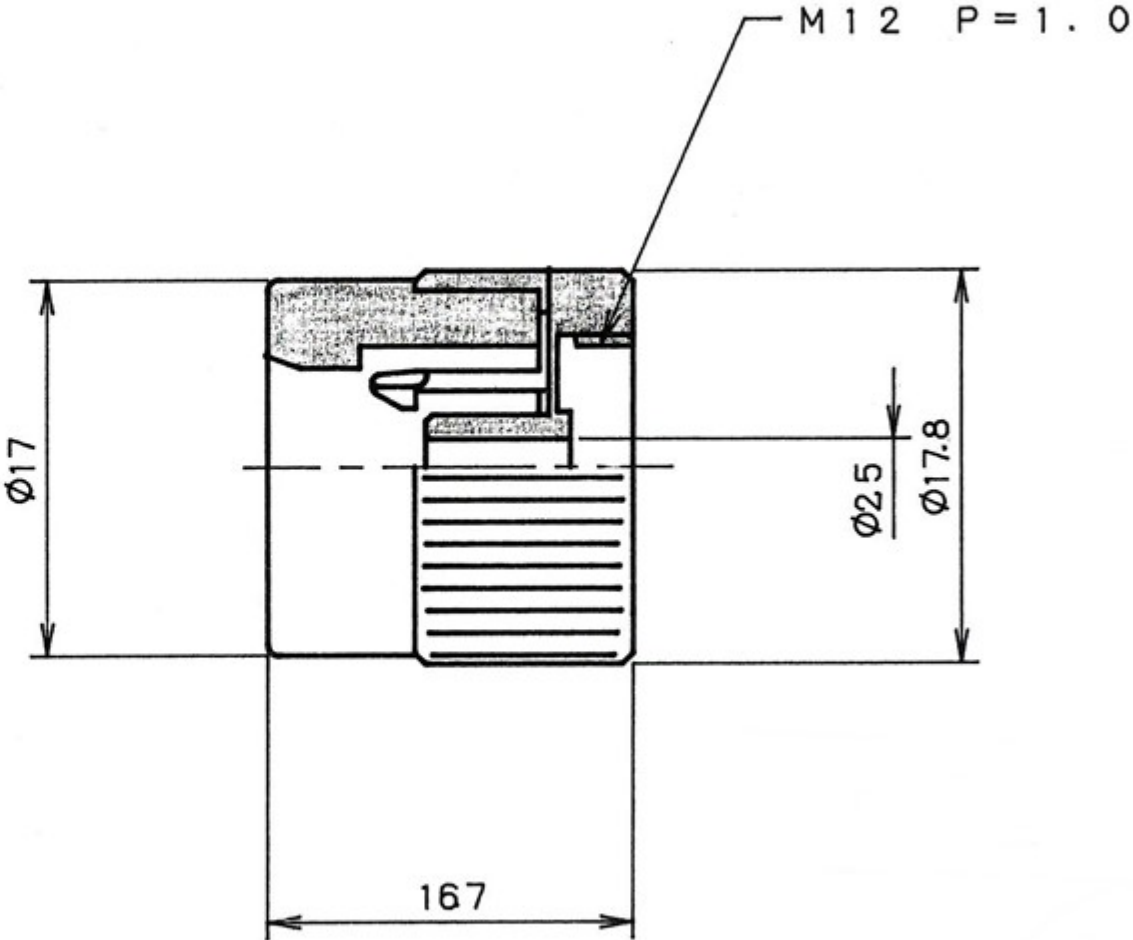
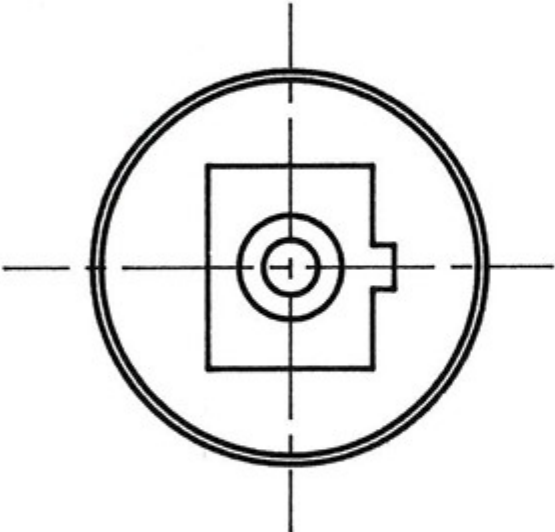
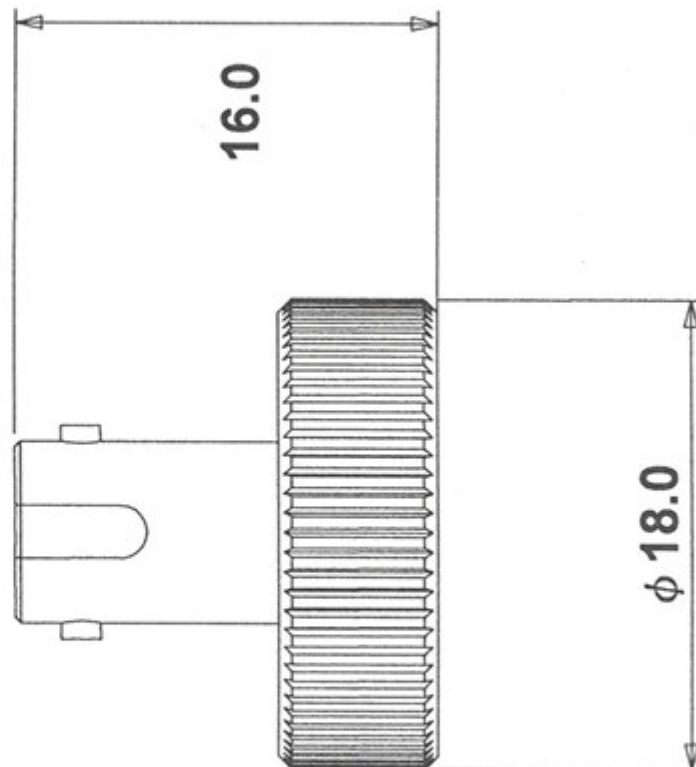
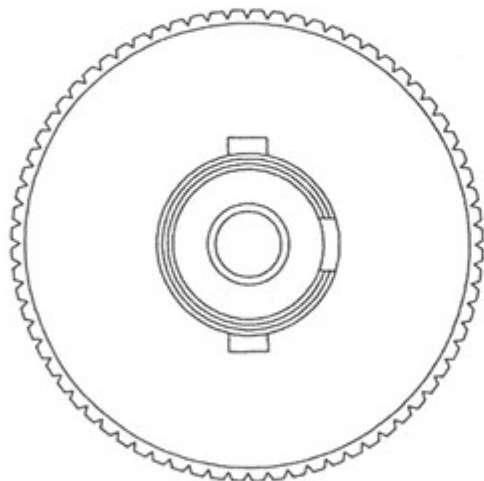


180-SC



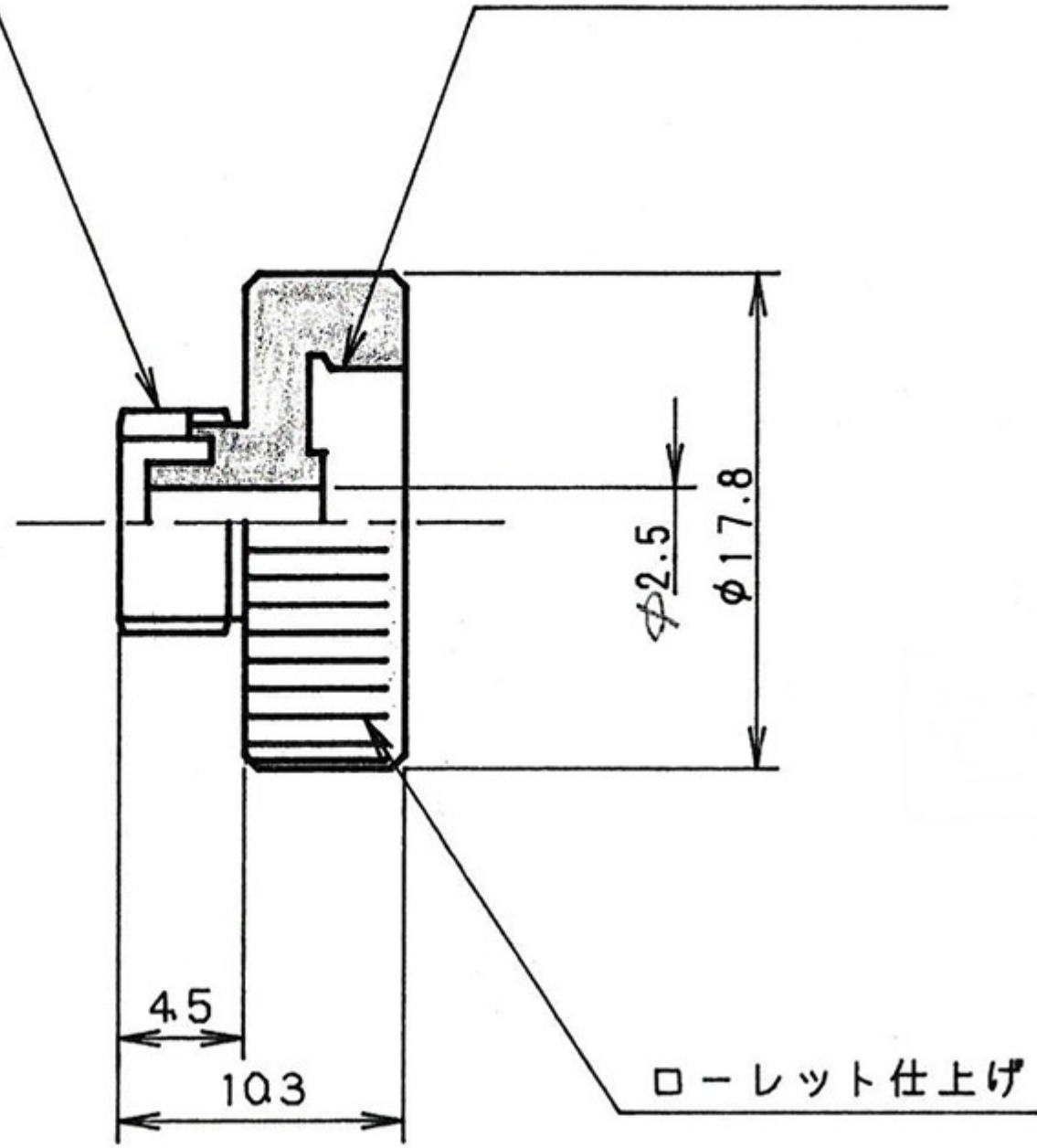
180-ST



180-FC

M 8 P = 0.75

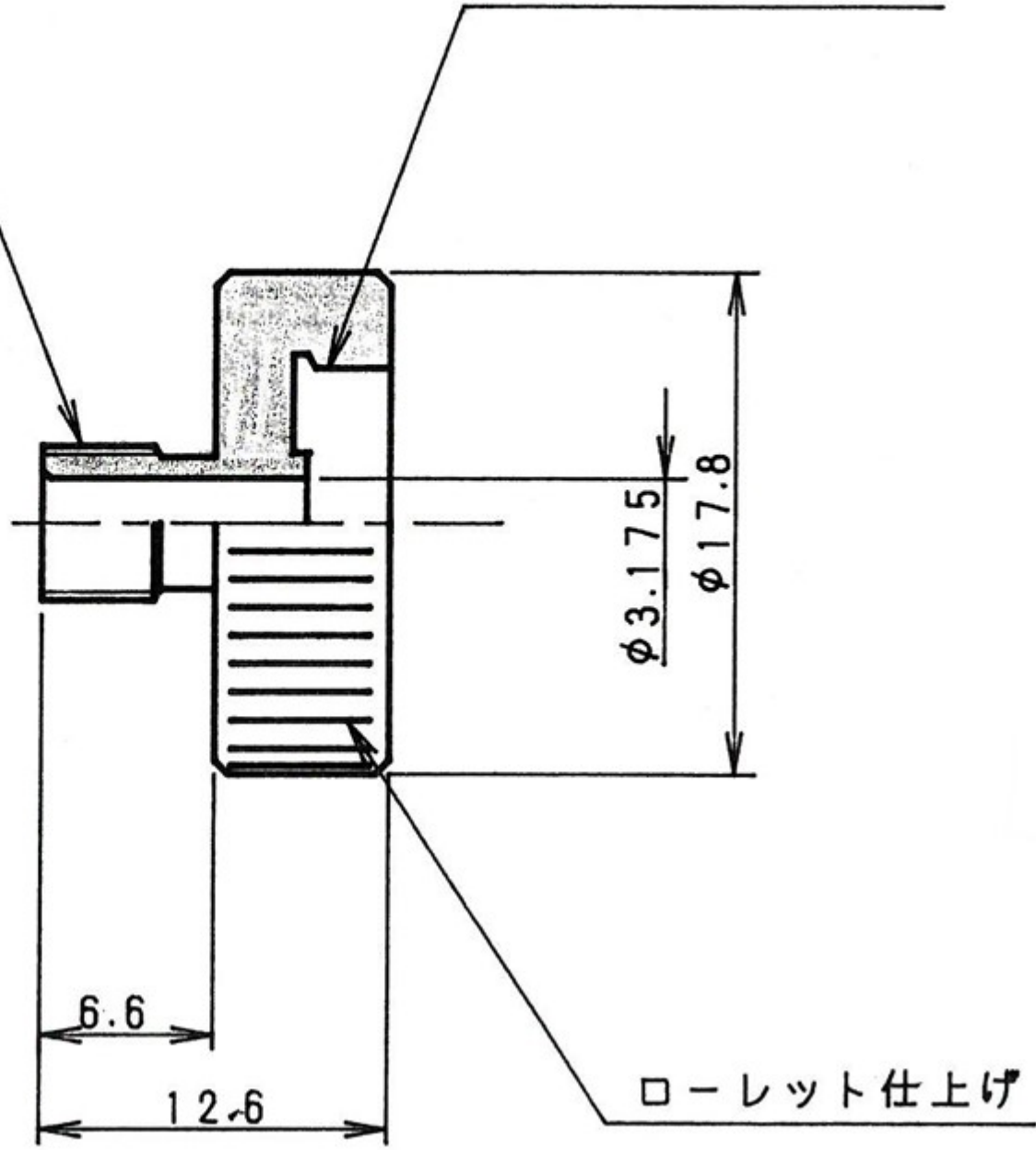
M 12 P = 1.0



180-SMA

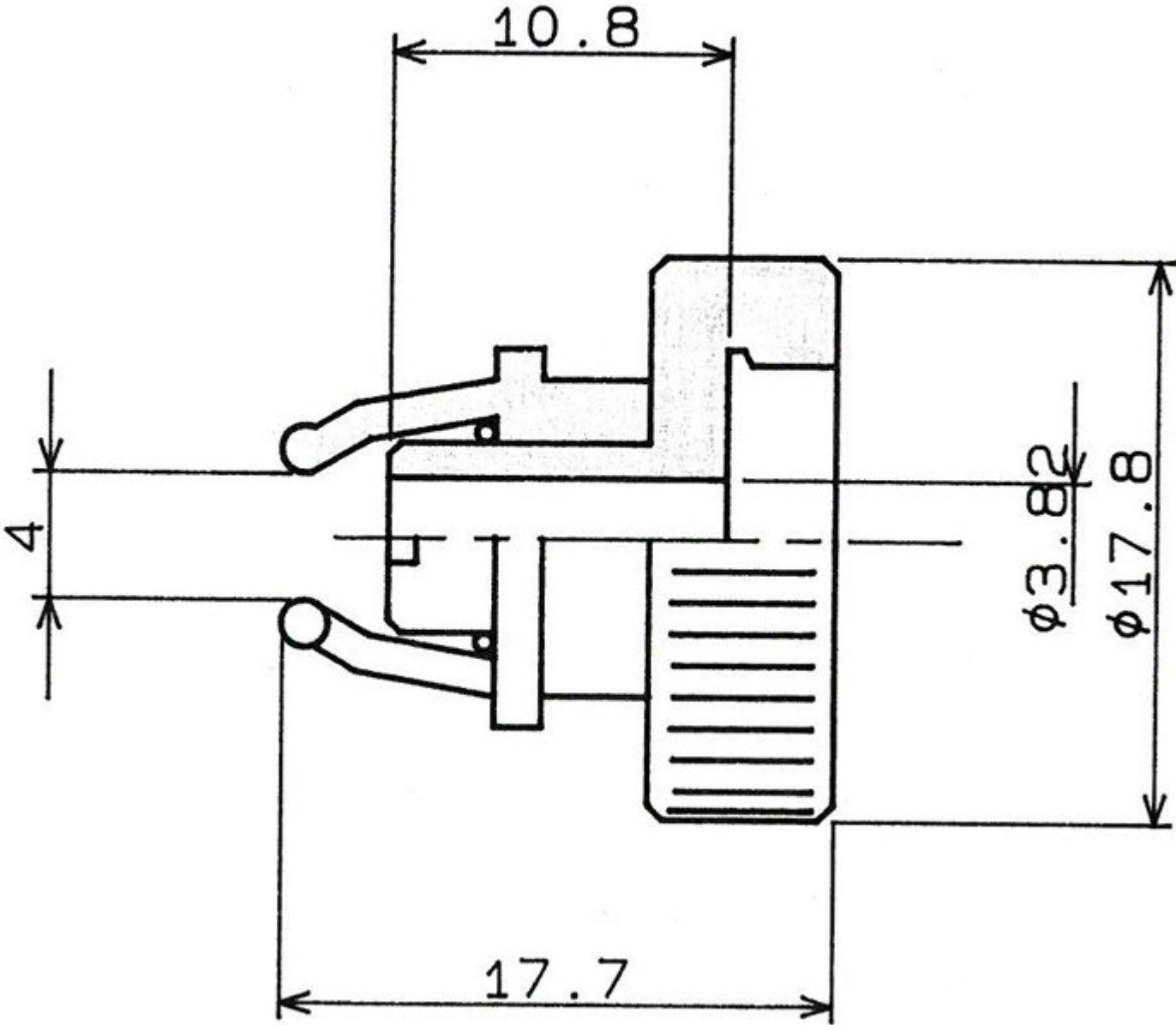
1 / 4 36UNS

M 12 P = 1.0

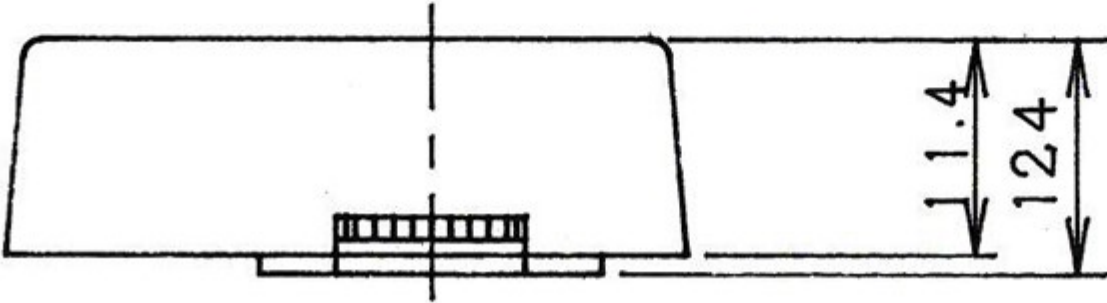
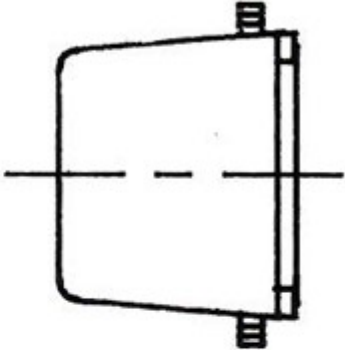
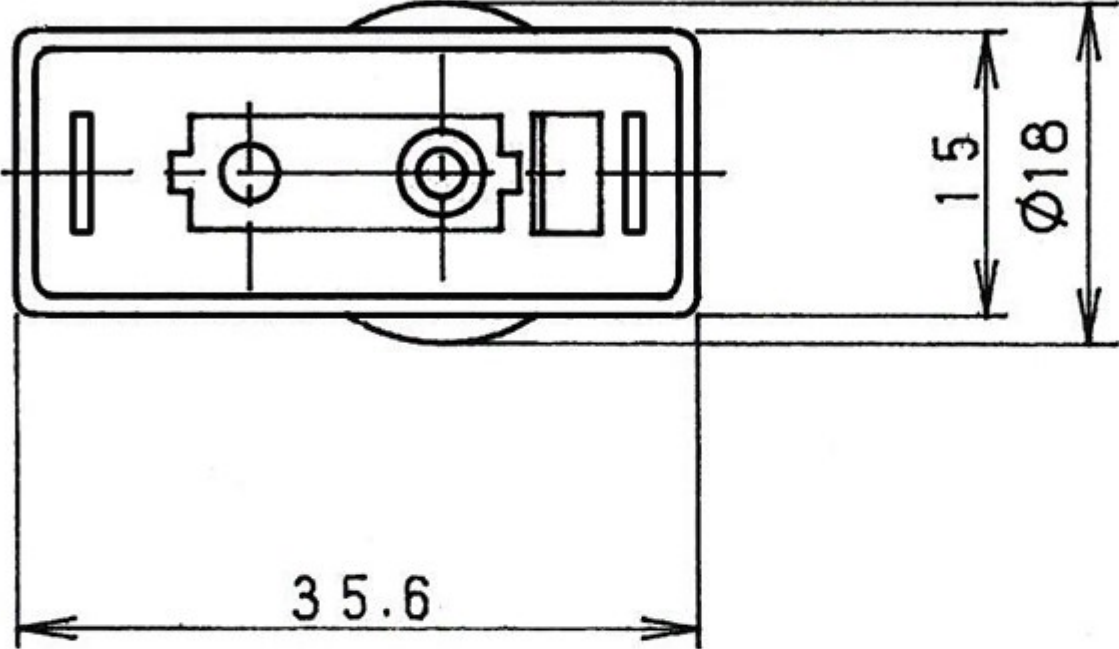


ローレット仕上げ

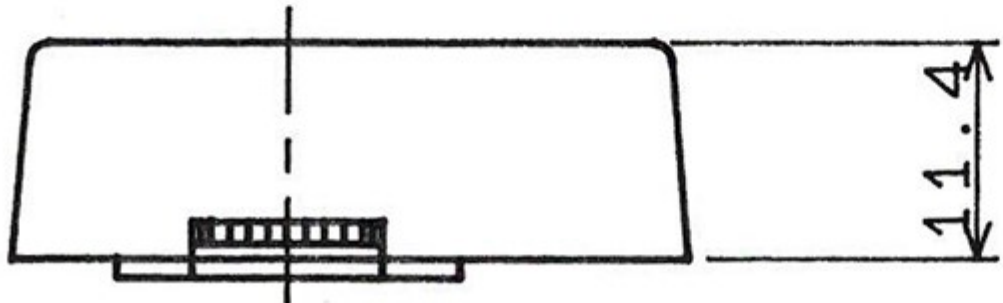
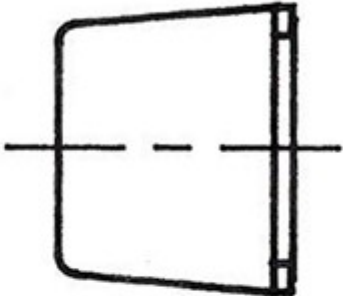
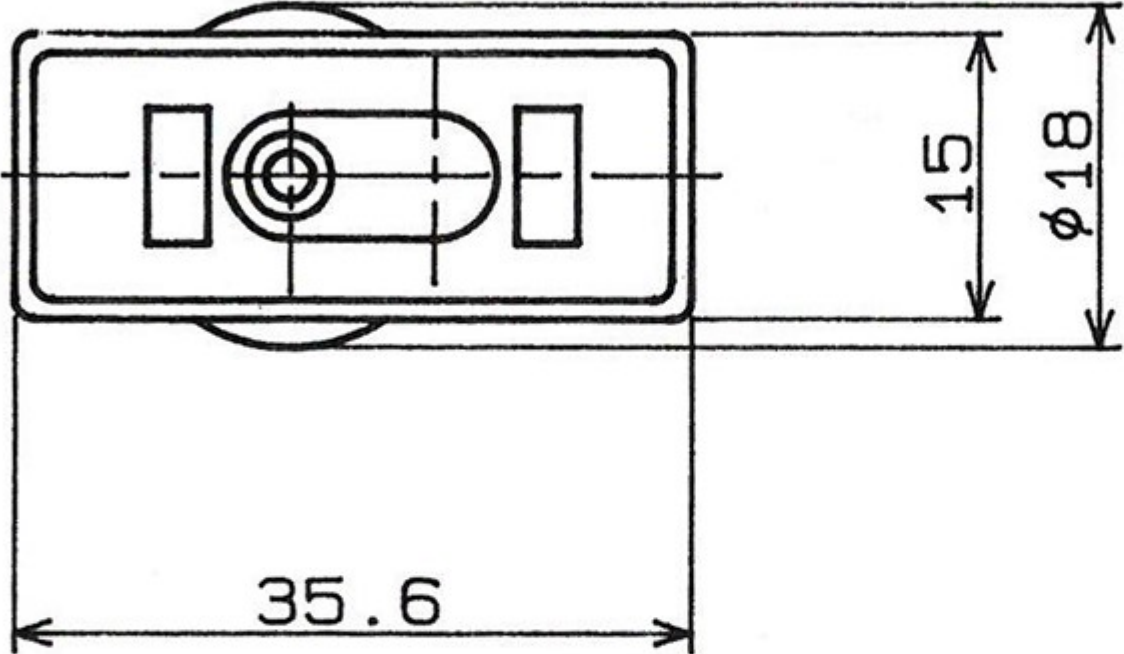
180-HPP



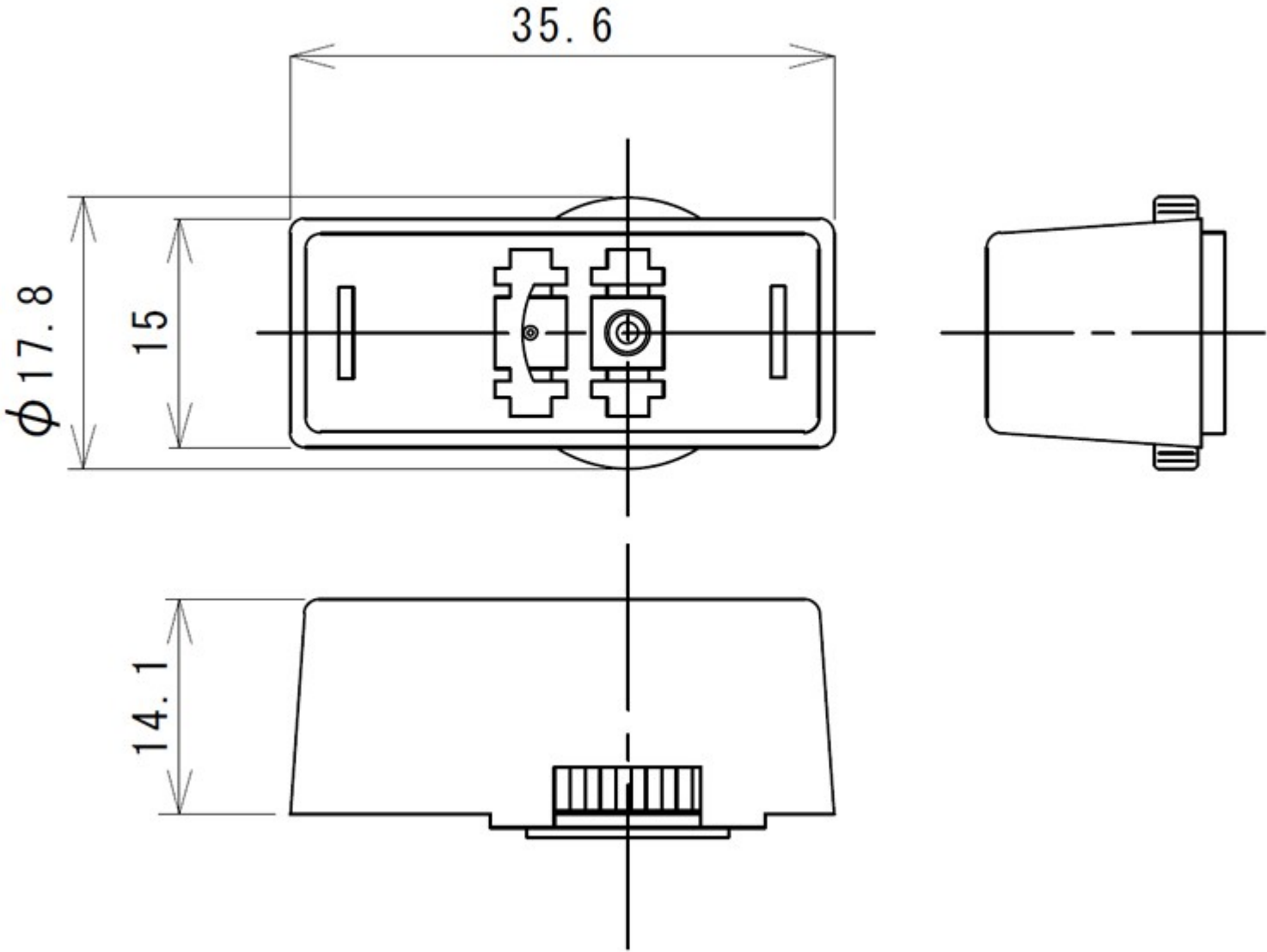
180-HTL



180-HDL



180-LC



180-MU

